

# COPPER PRESS FIT FITTINGS (M PROFILE)

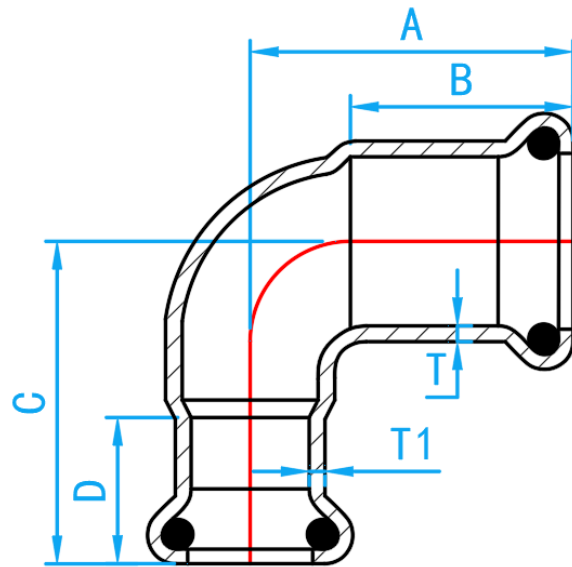


A Product of the nPressGuard® Solution

COMPLY WITH BSEN1254-2: 1998



## 90° REDUCER ELBOW



CROSS SECTIONAL VIEW

### DIMENSIONS

SKU	SIZE (mm)	A (mm)	B (mm)	C [mm]	D [mm]	T [mm]	T1 [mm]	WEIGHT (Kg)	PCS/CTN
PFNRE9002015	22 × 15	46.7	27.5	44.5	26.3	1.5	1.5	0.070	180
PFNRE9002515	28 × 15	43.0	20.0	37.0	17.0	1.5	1.5	0.083	140
PFNRE9002520	28 × 22	40.0	23.0	36.0	21.0	1.5	1.5	0.087	150